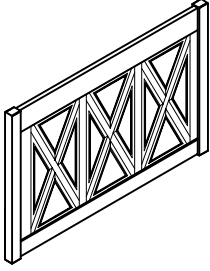


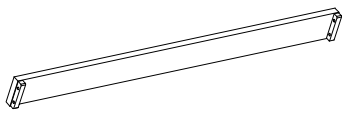
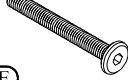

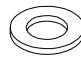

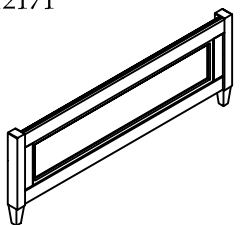
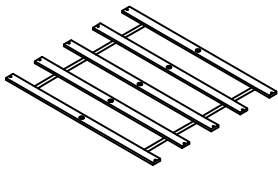
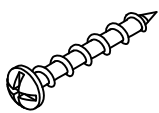
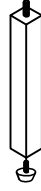
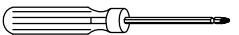


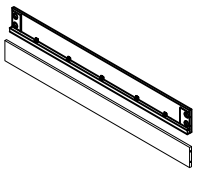
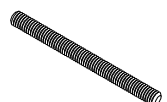


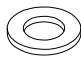
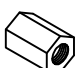
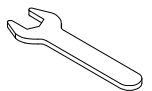
Hardware and Parts packed with the Headboard

<p>Queen Panel Headboard - 12170</p>  <p>(H-A) 1 pc.</p>	<p>Headboard Post (Right)</p>  <p>(H-B) 1 pc.</p>	<p>Headboard Post (Left)</p>  <p>(H-C) 1 pc.</p>	<p>Headboard Stretcher</p>  <p>(H-D) 1 pcs.</p>
<p>Allen Head Bolt Ø5/16"-18 x 2"</p>  <p>(H-E) 8 pcs.</p>	<p>Spring Washer Ø5/16" x Ø13mm</p>  <p>(H-F) 8 pcs.</p>	<p>Flat Washer Ø5/16" x Ø19mm</p>  <p>(H-G) 8 pcs.</p>	<p>Allen key M5</p>  <p>(H-H) 1 pc.</p>

Hardware and Parts packed with the Footboard

<p>Queen Panel Footboard 12171</p>  <p>(F-A) 1 pc.</p>	<p>Wood Slat (60 -13/16" Long)</p>  <p>(F-B) 1 set</p>	<p>Wood Screw Ø4 x 30mm</p>  <p>(F-C) 10 pcs</p>	<p>Support Leg 6-15/16" x 1-1/8" x 1-1/8"</p>  <p>(F-D) 5 pcs.</p>	<p>Screw Driver not included</p> 
---	--	--	--	---

Hardware and Parts packed with the Bed Rails

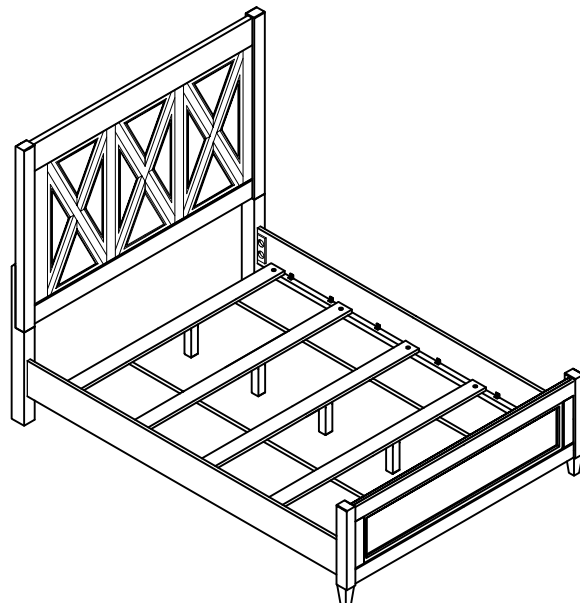
<p>Bed Rails - 12172</p>  <p>(R-A) 2 pcs</p>	<p>All-Thread Bolt Ø5/16"-18 x 3-1/2"</p>  <p>(R-B) 8 pcs.</p>	<p>Arc Washer 37x17mm</p>  <p>(R-C) 8 pcs.</p>	<p>Spring Washer Ø5/16" x Ø13mm</p>  <p>(R-D) 8 pcs.</p>	<p>Flat Washer Ø5/16" x Ø16mm</p>  <p>(R-E) 8 pcs.</p>	<p>Hex Nut Ø5/16" x 18mm</p>  <p>(R-F) 8 pcs.</p>	<p>Open Wrench 12 mm</p>  <p>(R-G) 1 pc.</p>
--	---	---	---	---	--	---

4/6-5/0 Queen Bed

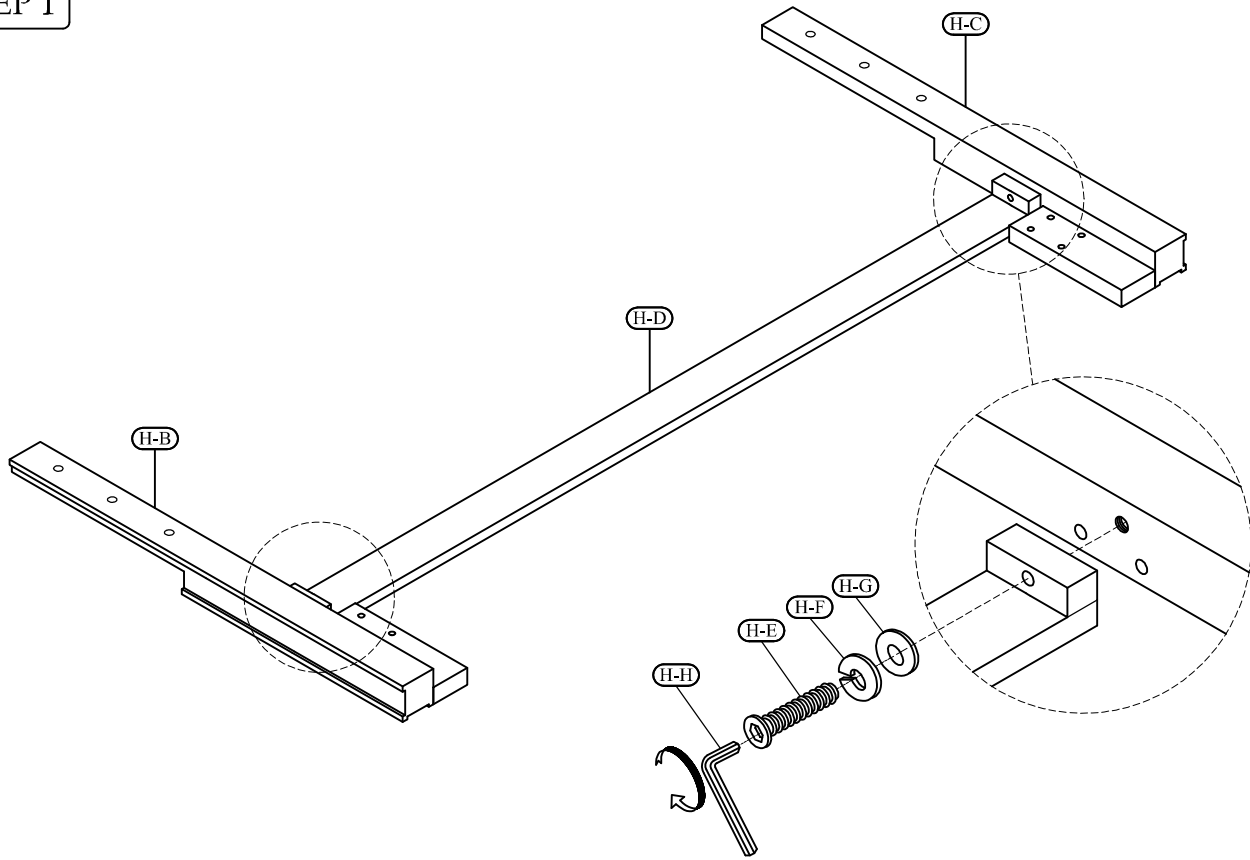
12170 -- 4/6 - 5/0 Panel Headboard

12171 -- 5/0 - Panel Footboard

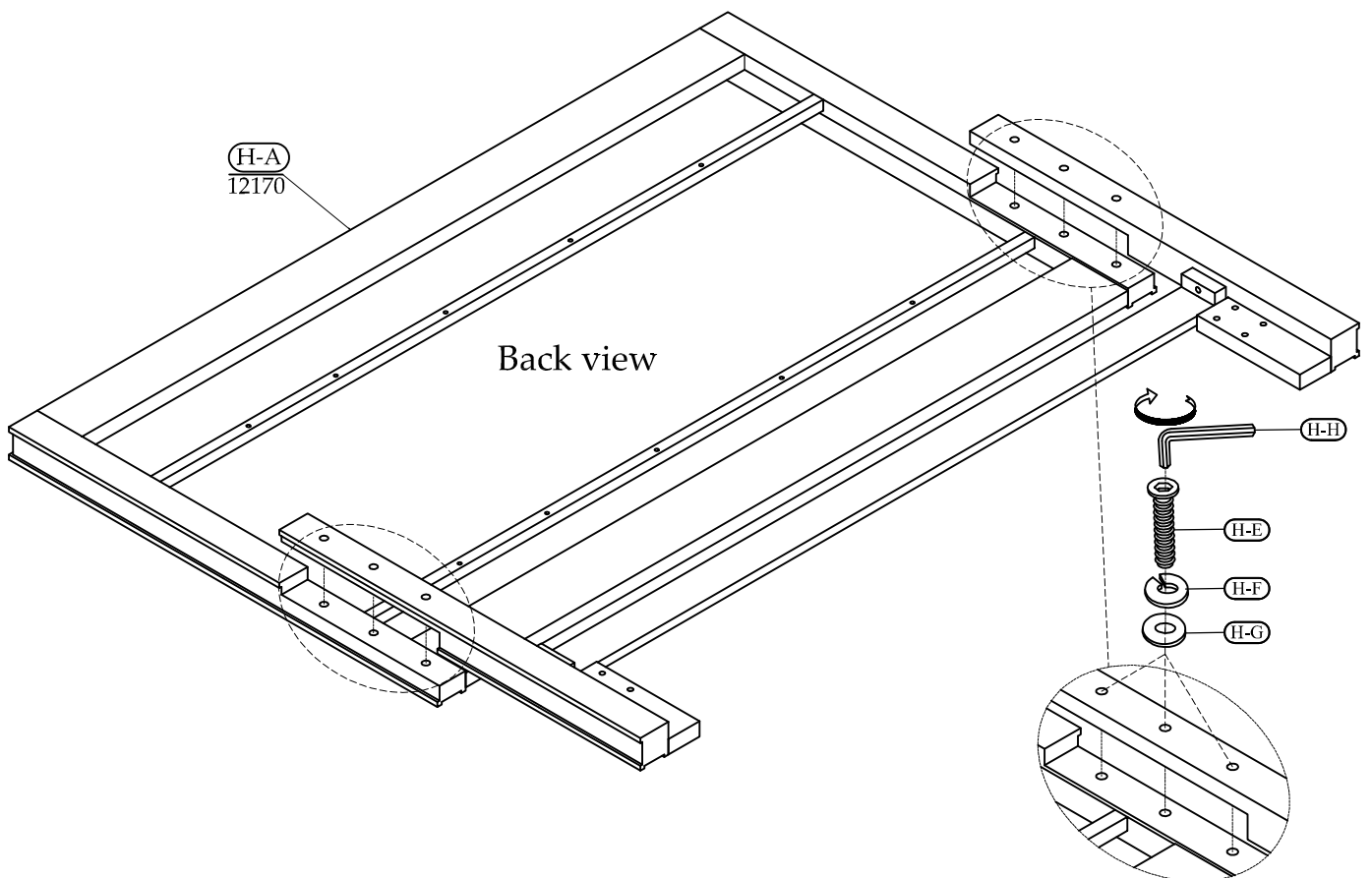
12172 -- 5/0 - 6/6 Side Rails



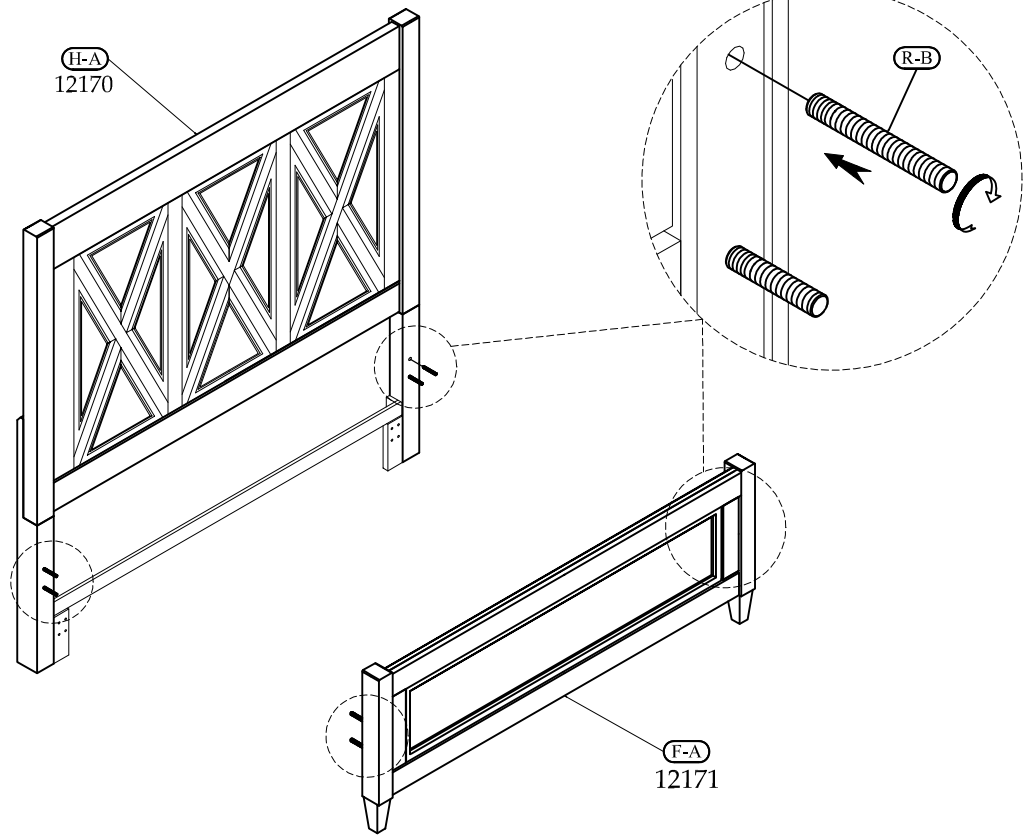
STEP 1



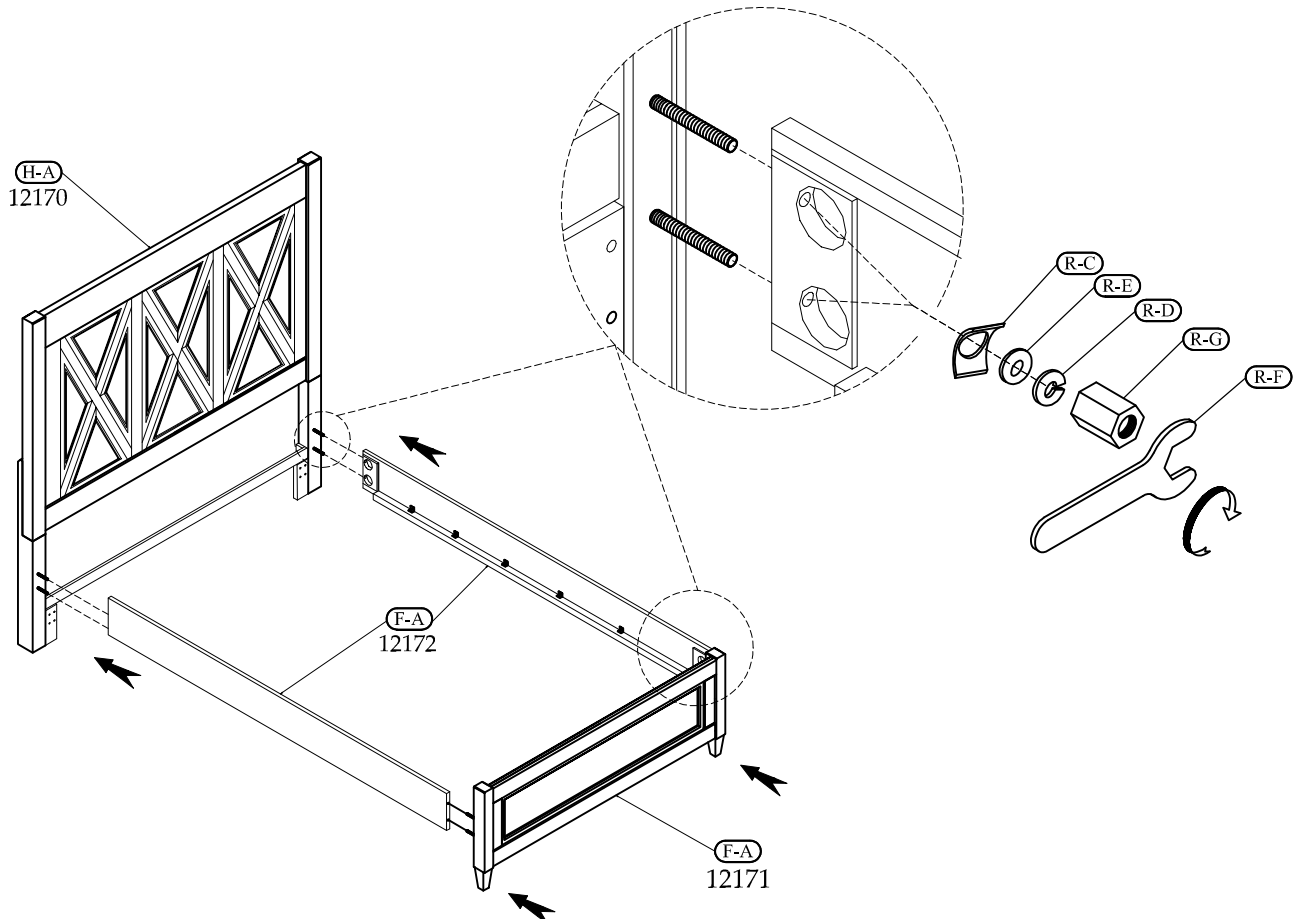
STEP 2



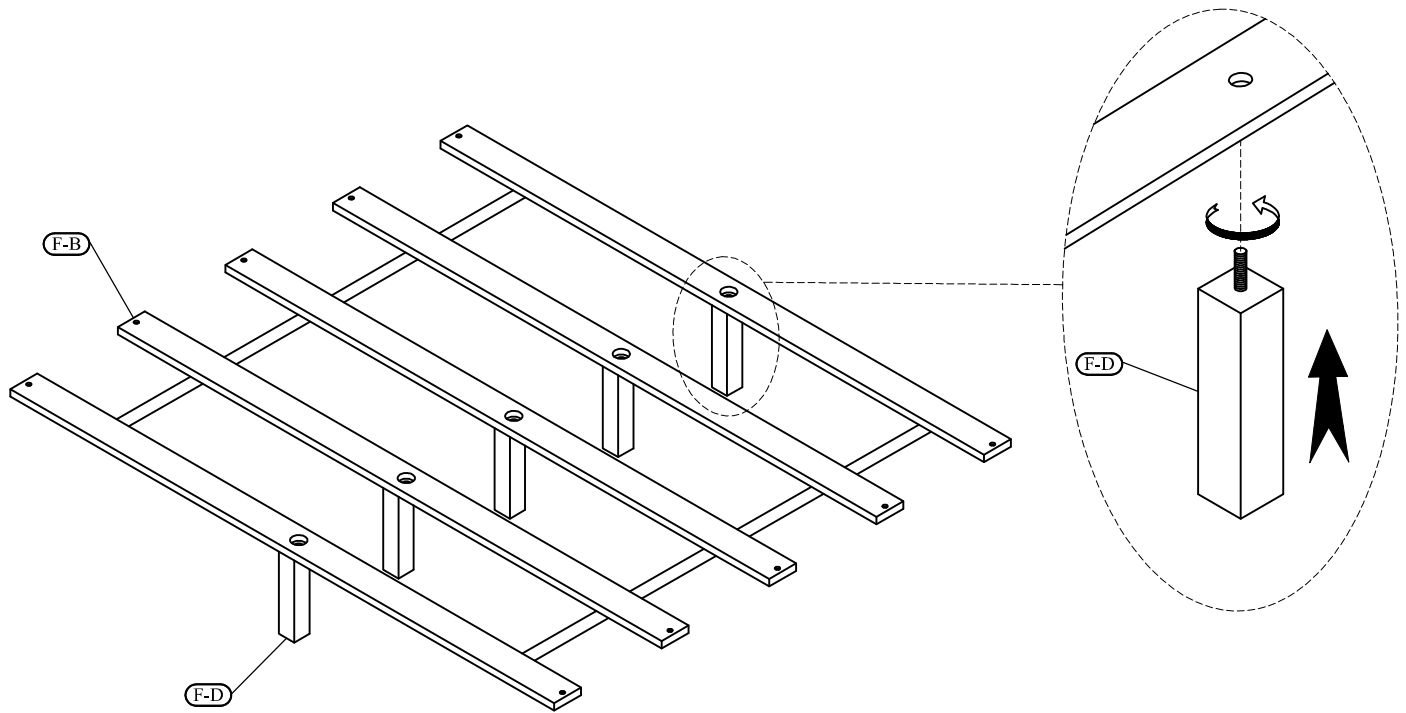
STEP 3



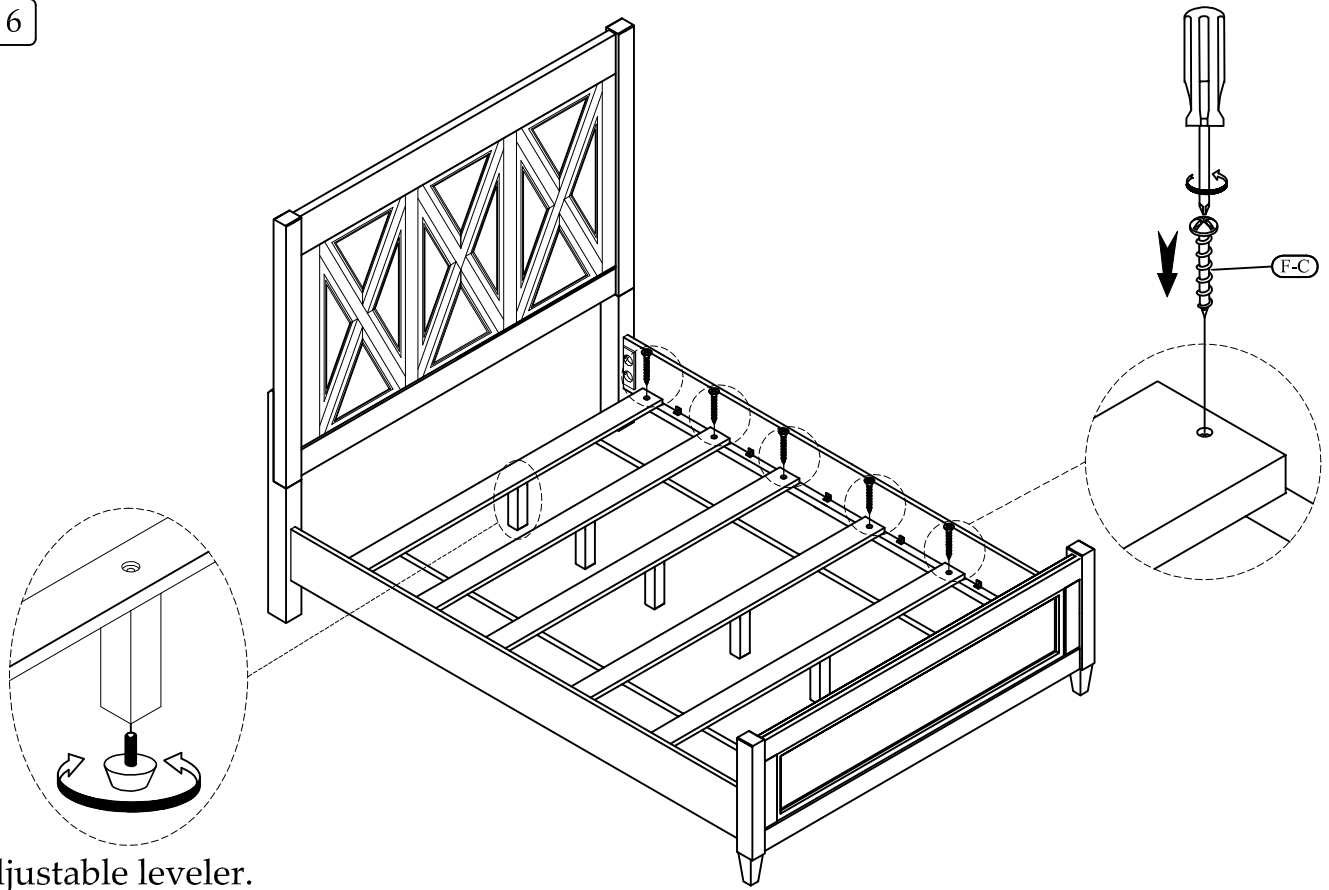
STEP 4



STEP 5

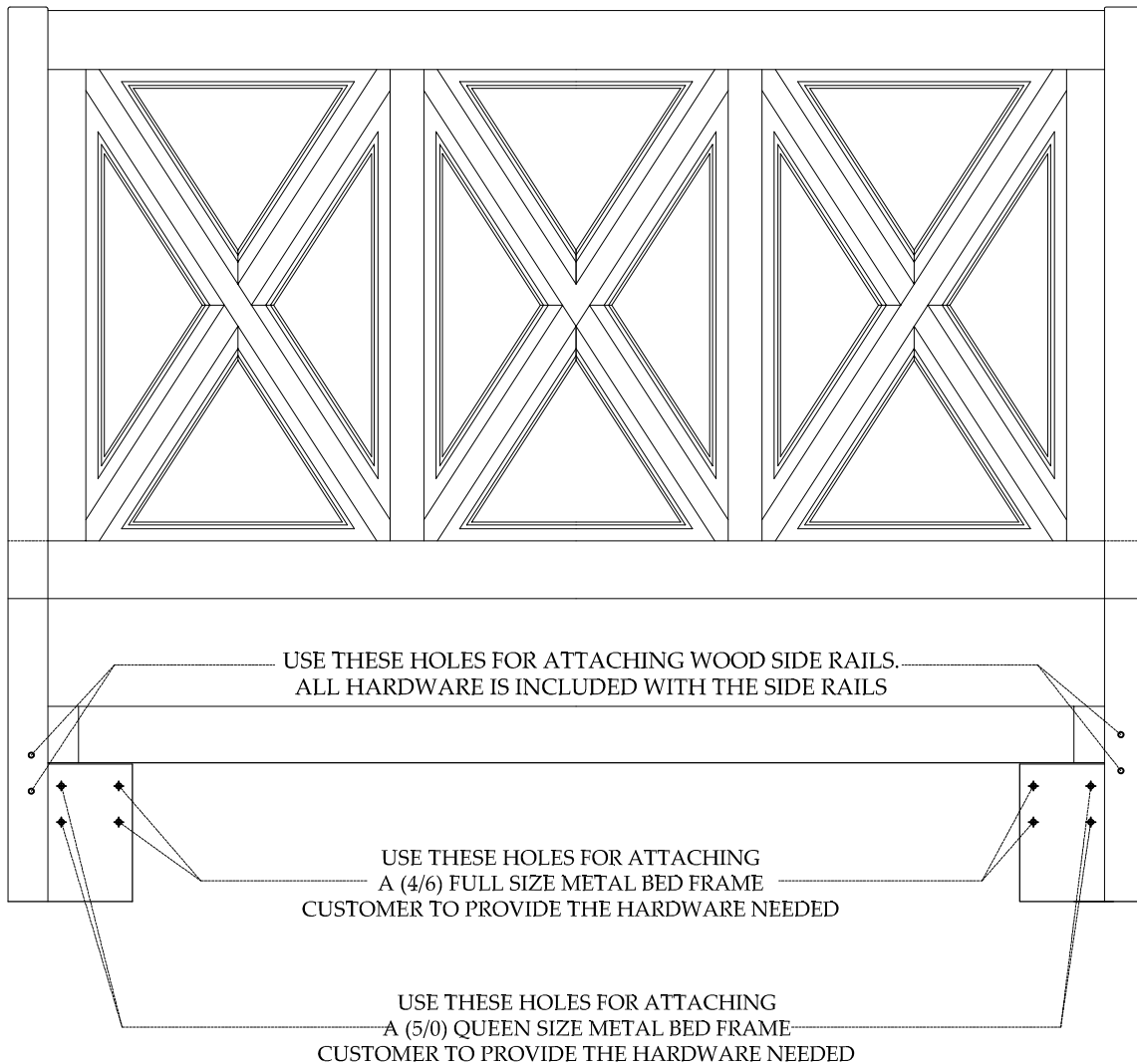


STEP 6



4/6-5/0 Queen Bed

12170- 4/6-5/0 Panel Headboard



The headboard may be used alone with a Full size or Queen size metal bed frame.